

Double Hung Window

Features:

- Low-E Glass with Argon Gas
- Warm-edge spacer system
- 3/4" Constant force coil balance system
- Exclusive InsulKor™ reinforcement for improved performance
- 4 1/4" frame thickness
- External accessory groove accommodates optional nail fin
- Extruded full screen
- 3.25" Jamb depth
- Transferable limited lifetime warranty; lifetime glass breakage warranty
- DP 60 rating (window size tested 36 x 74)

Custom Options:

- Low-E Glass
- Ultra Low-E Glass with Argon Gas
- Triple-pane, R-5 compliant glass panels
- Super Spacer® sealant system for optimal thermal performance (standard with triple-pane option)
- Nail fin accessory for use in remodeling or new construction applications (factory applied)
- 1 1/8" simulated divided lite (SDL) grid
- 5/8" or 1" contoured, or 5/8" or 3/4" flat or diamond grid, 5/8" contoured valance available
- Obscure, tempered or double-strength glass
- Three Interior Wood Laminates (white interior only)
- Nine Exterior Painted Colors (white interior only)
- Additional lock colors

Product Performance:

AAMA 101 Results:

Window Size	AAMA Rating (psf)	Air (cfm/ft ²)	Water (psf)
48" x 78" (X/X)	LC30	0.08	9.19
44" x 74" (X/X)	LC45	0.08	9.19
36" x 74" (X/X)	LC60	0.08	9.19
109" x 74" (X/X – X/X – X/X Finless Muller Triple)	LC50	0.18	9.19
72" x 108" (O / (X/X – X/X) Finless Twin Stack)	LC40	0.15	9.19

Acoustic Results:

Glazing	STC
3/32", 9/16" Airspace, 3/32"	26
1/8", 1/2" Airspace, 1/8"	27
3/32", 9/16" Argon, 3/32", 1/4" Argon, 3/32"	29
1/8", 9/16" Argon, 1/8", 1/4" Argon, 1/8"	29

Product Dimensions:

Vinyl Wall Thickness:	0.065"
Typ. Glass Thickness:	0.750"
Max Glass Thickness:	1.125"
Jamb Depth:	3.250"
Mullion Adder:	0.5"

Rough Opening:

Window Width + 1/4"
Window Height + 1/4"

Size Restrictions:

	Min:	Max:
Width	17 3/4"	54"
Height	26"	91"

(Max. United Inches 126")



Double Hung Window

Egress Formulas:

Egress Width $\geq 20"$ and Egress Height $\geq 24"$ and Egress Area $\geq 5.7 \text{ ft}^2$ required to meet egress.

Egress Width Formula = Window Width - 5.8125"

Egress Height Formula = (Window Height/2) - 7.3750" (1 Coil)
 (Window Height/2) - 8.5625" (2 Coils)
 (Window Height/2) - 9.7500" (3 Coils)
 (Window Height/2) - 10.9375" (4 Coils)

Egress Area Formula = (Egress Width x Egress Height)/144

Screen Formulas:

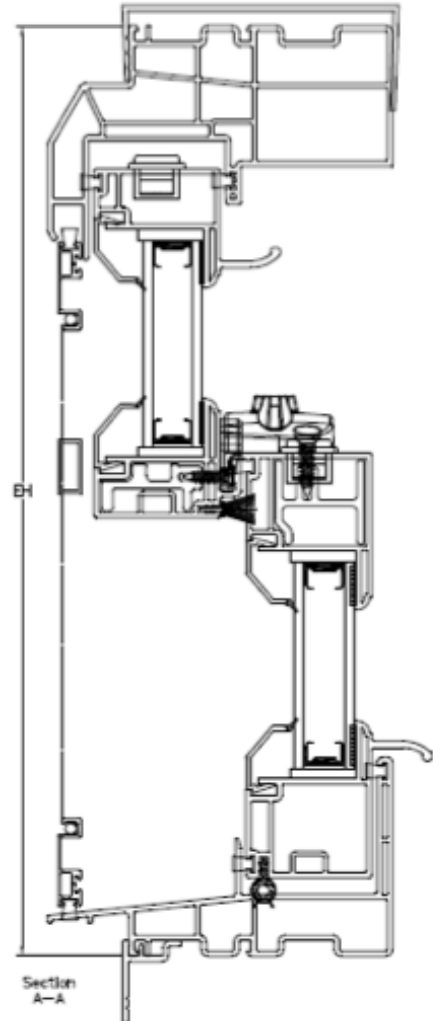
Window Width - 5.0000" (Full Screen)

Window Height - 3.3125" (Full Screen)

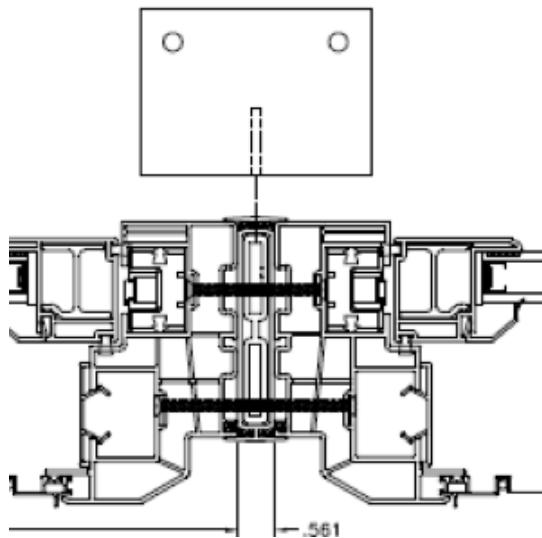
Window Width - 4.9375" (1/2 Screen)

(Window Height/2) + 0.1875" (1/2 Screen)

Cross Sections:



Mullion Assembly:



Nail Fin Applied:

